



## COAX-11TX-RX

### EPoC RX & TX Kit

COAX-RX is an EPoC (Ethernet & Power over Coax) receiver (RX) equipped with 1 BNC port & 1 PoE PD LAN port. This cutting-edge model allows all of the power for the link to be sourced from a PoE switch or PoE injector. UPoE PSE ( $\geq 60W$ ) is recommended for a long range PoE solution providing data & power to EPoC TX adapter and PoE IP camera over single coaxial cable up to 1,200m (3,937ft). Besides long range PoE solution, COAX-RX is also often used to upgrade legacy of CCTV to IP surveillance without changing existing coaxial cable infrastructure.

COAX-11TX, a 1-to-1 EPoC (Ethernet & Power over Coax) transmitter (TX) equipped with 1 BNC port & 1 RJ-45 PoE port, is designed to connect a remote PoE IP camera over single coax without requiring extra power supply. This cutting-edge model delivers data and power at long range up to 1,200m for a PoE IP camera. Besides long-range PoE solution, COAX-11TX is often used to upgrade legacy of CCTV to PoE IP surveillance without changing existing coaxial cable infrastructure.

## FEATURES (COAX-RX)

One BNC coax port & one 10/100Mbps PoE PD port

Without requiring extra power adapter

PoE pass through coax to remote PoE IP camera

Extends PoE to Transmitter (TX) and PoE IP camera  
Optional 19" 8-bay rack mount chassis

(CH-110) Optional EPoC surge protector (SD-301)

## FEATURES (COAX-11TX)

One BNC coax port & one PoE LAN port

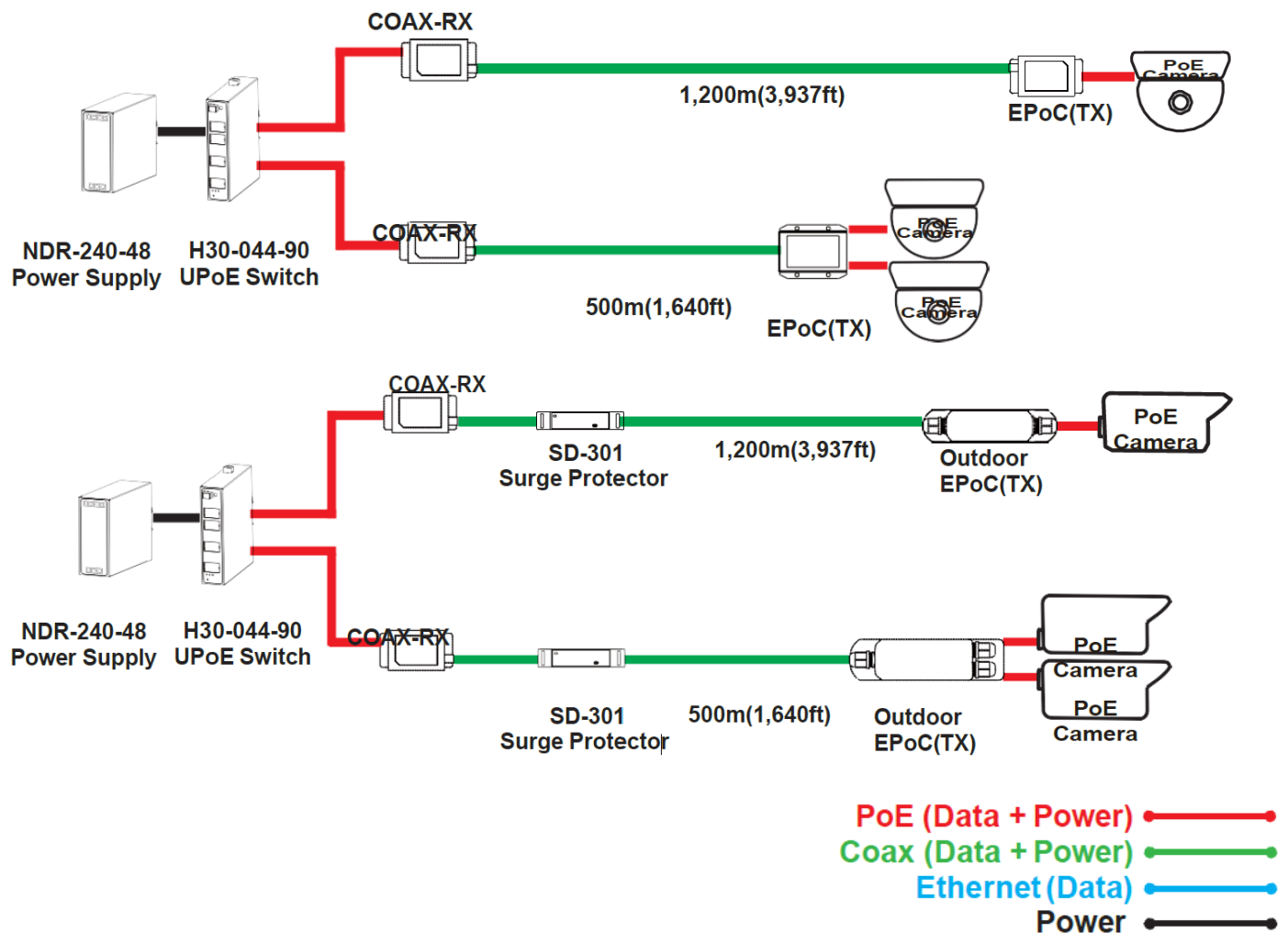
Re-uses existing coax for a PoE IP camera

Without requiring extra power adapter beside remote  
PoE IP camera

Delivers up to 9.7 watts@1,200m(3,937ft) for a PoE IP camera

PoE Output On/Off control

## APPLICATIONS



## COAX-RX

Interface / Distance		Power / Distance Chart																					
Coaxial BNC	75 ohm x1	<table border="1"> <thead> <tr> <th></th> <th>100m (328ft)</th> <th>300m (984ft)</th> <th>500m (1640ft)</th> <th>800m (2625ft)</th> <th>1000m (3281ft)</th> <th>1200m (3937ft)</th> </tr> </thead> <tbody> <tr> <td>— Cat.5e:100m</td> <td>50.52W</td> <td>26.4W</td> <td>17.48W</td> <td>12.63W</td> <td>8.84W</td> <td>8.48W</td> </tr> <tr> <td>— Cat.5e:1m</td> <td>57.17W</td> <td>34.72W</td> <td>25.2W</td> <td>13.11W</td> <td>10W</td> <td>9.66W</td> </tr> </tbody> </table>		100m (328ft)	300m (984ft)	500m (1640ft)	800m (2625ft)	1000m (3281ft)	1200m (3937ft)	— Cat.5e:100m	50.52W	26.4W	17.48W	12.63W	8.84W	8.48W	— Cat.5e:1m	57.17W	34.72W	25.2W	13.11W	10W	9.66W
	100m (328ft)		300m (984ft)	500m (1640ft)	800m (2625ft)	1000m (3281ft)	1200m (3937ft)																
— Cat.5e:100m	50.52W		26.4W	17.48W	12.63W	8.84W	8.48W																
— Cat.5e:1m	57.17W		34.72W	25.2W	13.11W	10W	9.66W																
10/100 Mbps Ethernet	PoE PD RJ45 x1																						
Transmission mode	Receiver RX mode																						
Maximum TX quantity	7																						
MAX.(Power+Data) Distance	100Mbps, 9.7W@1,200m(3,937ft) 100Mbps@2,400m(7,874ft) Data only																						
Cable Type	75 ohm RG59/RG6/RG11 Coax																						
Bandwidth	600 Mbps																						

### POWER SPECIFICATIONS

Power supply	Optional : I36-100 : 60W UPoE Injector H30-044-90 : 60W/95W UPoE Switch
PoE Input	Support 30W/60W/95W PoE
PoE Pass Through	Support
Unit Power Consumption	3 watts
EPoC Surge Protection	Optional extra surge protector : SD-301

### PHYSICAL SPECIFICATIONS

Dimensions (LxWxH)	85.4 x 47.1 x 23 mm (3.36x1.85x0.91")
Weight	0.2 kg (0.44 lb)
Connectors	BNC x1, RJ45 x1

### ENVIRONMENTAL SPECIFICATIONS

Operating Temperature	-20°C ~ 60°C (-28°F ~ 140°F)
Storage Temperature	-20°C ~ 85°C (-28°F ~ 185°F)
Relative Humidity	5% ~ 95% non-condensing

### CETIFICATIONS

EMC	CE, FCC, VCCI, C-Tick
Safety	EN60950-1

### LEDs

LAN	Ethernet status
PWR	Power status
LINK	EPoC TX device connect status
POE	PoE status

# COAX-11TX

Interface / Distance		Power / Distance Chart																					
Coaxial BNC	75 ohm x1	<table border="1"> <thead> <tr> <th></th> <th>100m (328ft)</th> <th>300m (984ft)</th> <th>500m (1640ft)</th> <th>800m (2625ft)</th> <th>1000m (3281ft)</th> <th>1200m (3937ft)</th> </tr> </thead> <tbody> <tr> <td>—●— Cat.5e:100m</td> <td>50.52W</td> <td>26.4W</td> <td>17.48W</td> <td>12.63W</td> <td>8.84W</td> <td>8.48W</td> </tr> <tr> <td>—■— Cat.5e:1m</td> <td>57.17W</td> <td>34.72W</td> <td>25.2W</td> <td>13.11W</td> <td>10W</td> <td>9.66W</td> </tr> </tbody> </table>		100m (328ft)	300m (984ft)	500m (1640ft)	800m (2625ft)	1000m (3281ft)	1200m (3937ft)	—●— Cat.5e:100m	50.52W	26.4W	17.48W	12.63W	8.84W	8.48W	—■— Cat.5e:1m	57.17W	34.72W	25.2W	13.11W	10W	9.66W
	100m (328ft)		300m (984ft)	500m (1640ft)	800m (2625ft)	1000m (3281ft)	1200m (3937ft)																
—●— Cat.5e:100m	50.52W		26.4W	17.48W	12.63W	8.84W	8.48W																
—■— Cat.5e:1m	57.17W		34.72W	25.2W	13.11W	10W	9.66W																
10/100 Mbps Ethernet	PoE PSE RJ45 x1																						
Transmission mode	Transmitter TX mode																						
MAX.(Power+Data) Distance	7																						
MAX.(Power+Data) Distance	100Mbps, 9.7W@1,200m(3,937ft) 100Mbps@2,400m(7,874ft) Data only																						
Cable Type	75 ohm RG59/RG6/RG11 Coax																						
Bandwidth	600 Mbps																						

## PHYSICAL SPECIFICATIONS

Dimensions (LxWxH)	85.4 x 47.1 x 23 mm (3.36x1.85x0.91")
Weight	0.2 kg (0.44 lb)
Connectors	BNC x1, RJ45 x1, DC Jack x1, PoE On/Off Switch x1

## ENVIRONMENTAL SPECIFICATIONS

Operating Temperature	-20°C ~ 60°C (-28°F ~ 140°F)
Storage Temperature	-20°C ~ 85°C (-28°F ~ 185°F)
Relative Humidity	5% ~ 95% non-condensing

## CETIFICATIONS

EMC	CE, FCC, VCCI, C-Tick
-----	-----------------------

## LEDs

LAN	Ethernet status
PWR	Power status
LINK	EPoC TX device connect status
POE	PoE status