

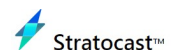


# IB9367-EHT-v2

Bullet Network Camera

2MP 60fps • H.265 • SNV • WDR Pro • 50/100M IR • IP66 • IP67 • IK10

- 60 fps @ 1920x1080, 2.7 ~ 13.5 mm or 5 ~ 50 mm Lens
- H.265 Compression Technology with Smart Stream III
- Installation-friendly Design
- Weather-proof IP66, IP67 and Vandal-proof IK10, NEMA 4X-rated Protection
- SNV (Supreme Night Visibility) for Low Light Conditions
- WDR Pro for Unparalleled Visibility in Extremely Bright and Dark Environments
- Built-in IR Illuminators up to 50/100M with Smart IR II
- Signed Firmware and Secure Boot
- AI-powered Smart Motion Detection and Smart VCA
- Cyber Protection via Trend Micro IoT Security



# Technical Specifications

## System Information

Model	IB9367-EHT-v2 (2.7-13.5mm) IB9367-EHT-v2 (5-50mm)
CPU	Multimedia SoC (System-on-Chip)
Flash	8 GB
RAM	1 GB

## Camera Features

Image Sensor	1/2.8" Progressive CMOS
Max. Resolution	1920x1080 (2MP)
Lens Type	Motorized, Vari-focal, Remote Focus
Focal Length	IB9367-EHT-v2 (2.7-13.5mm): f = 2.7 ~ 13.5 mm IB9367-EHT-v2 (5-50mm): f = 5 ~ 50 mm
Aperture	IB9367-EHT-v2 (2.7-13.5mm): F1.4 ~ F2.8 IB9367-EHT-v2 (5-50mm): F2.0
Auto-iris	IB9367-EHT-v2 (2.7-13.5mm): P-iris IB9367-EHT-v2 (5-50mm): DC-iris
Field of View	IB9367-EHT-v2 (2.7-13.5mm): 105° ~ 33° (Horizontal) 55° ~ 18° (Vertical) 126° ~ 37° (Diagonal) IB9367-EHT-v2 (5-50mm): 47° ~ 8° (Horizontal) 26° ~ 5° (Vertical) 55° ~ 9° (Diagonal)
Shutter Time	1/5 sec. to 1/32,000 sec.
WDR Technology	WDR Pro
Day/Night	Yes
Removable IR-cut Filter	Yes
IR Illuminators	IB9367-EHT-v2 (2.7-13.5mm): Built-in IR illuminators, effective up to 50 meters with Smart IR II, IR LED*4 IB9367-EHT-v2 (5-50mm): Built-in IR illuminators, effective up to 100 meters with Smart IR II, IR LED*4
Minimum Illumination	IB9367-EHT-v2 (2.7-13.5mm): 0.035 lux @ F1.4 (Color) <0.005 lux @ F1.4 (B/W) 0 lux with IR illumination on IB9367-EHT-v2 (5-50mm): 0.040 lux @ F2.0 (Color) <0.005 lux @ F2.0 (B/W) 0 lux with IR illumination on
Pan Range	±180°
Tilt Range	90°
Rotation Range	±180°
Pan/Tilt/Zoom Functionalities	ePTZ: 48x digital zoom (4x on IE plug-in, 12x built-in)
Storage	Seamless Recording to MicroSD/SDHC/SDXC card slot and recording to network-attached storage (NAS)
Built-in Installation Aids	Remote focus, remote zoom, Micro USB* *Requires Wi-Fi dongle and Micro B converter

## Video

Video Compression	H.265, H.264, MJPEG
Maximum Frame Rate	60 fps @ 1920x1080
Maximum Streams	3 video streams (Up to 8 configurable profiles)
S/N Ratio	IB9367-EHT-v2 (2.7-13.5mm): 53 dB IB9367-EHT-v2 (5-50mm): 49 dB
Dynamic Range	120 dB
Video Streaming	Adjustable resolution, quality and bit rate control, Smart Stream III

Image Settings	General settings: video title and time stamp overlay, video orientation (flip, mirror, rotation), day/night settings; Illuminators: illuminators, anti-overexposure; Image settings: white balance, image adjustment (brightness, contrast, saturation, sharpness, gamma curve), defog, 3DNR, EIS, scene mode (auto, deblur); Exposure: BLC, HLC, exposure control (exposure level, iris adjustment, exposure time, gain control, iris mode), AE speed adjustment, WDR; Focus: zoom, focus; Privacy mask; Scheduled profile settings
<b>Audio</b>	
Audio Capability	Two-way audio (Full duplex)
Audio Compression	G.711, G.726
Audio Interface	External microphone input External line output
<b>Network</b>	
Users	Live viewing for up to 10 clients
Security	Access list, digest authentication, HTTPS, IEEE 802.1x, password protection, secure boot, signed firmware, Trend Micro IoT Security (brute force attack event, cyberattack event, quarantine event), user access log, user account management
Protocols	802.1X, ARP, Bonjour, CIFS/SMB, DDNS, DHCP, DNS, FTP/SFTP, HTTP/HTTPS, ICMP, IGMPv3, IPv4, IPv6, NTP, PPPoE, QoS (CoS/DSCP), RTSP/RTP/RTCP, SMTP, SNMP, SSL, TCP/IP, TLS 1.2, UDP, UPnP
Interface	10 Base-T/100 Base-TX Ethernet (RJ-45) *It is highly recommended to use standard CAT5e & CAT6 cables which are compliant with the 3P/ETL standard.
ONVIF	Profile G, S, T supported, specification available at <a href="http://www.onvif.org">www.onvif.org</a>
<b>Solution Integration</b>	
Smart Motion Detection	Five-window video motion detection, people detection, time filter
Smart VCA	Including intrusion detection, loitering detection, line crossing detection, unattended object detection, missing object detection, face detection, crowd detection, running detection *Please access <a href="https://license.vivotek.com/">https://license.vivotek.com/</a> to get the free trial license.
VADP Package	Deep Learning VCA (Smart Motion Detection, Smart VCA), Stratocast, Trend Micro IoT Security (3-year free trial)
<b>Alarm and Event</b>	
Event Trigger	Audio detection, camera tampering detection, cybersecurity events (brute force attack event, cyberattack event, quarantine event), digital input, manual trigger, motion detection, periodical trigger, recording notification, SD card life expectancy, shock detection, system boot
Event Action	Event notification via audio clip, camera link, digital output, email, HTTP, FTP/SFTP, NAS server, SD card File upload via email, HTTP, FTP/SFTP, NAS server, SD card
<b>General</b>	
Connectors	Default I/O RJ-45 cable connector for 10/100 Mbps PoE network connection Audio line input Audio line output DC 12V power input Digital input Digital output Micro USB  Module I/O* Digital input*2 Digital output*2 AC 24V power input *Requires extension I/O module kit
LED Indicator	System power and status indicator
Power Input	AC 24V*, DC 12V, IEEE 802.3af PoE Class 0 (Power Redundancy) *Requires extension I/O module kit
Power Consumption	PoE: Max. 10.77/7.77 W (IR on/off) DC 12V: Max. 9.24/6.24 W (IR on/off) AC 24V*: Max. 10.3/7.3 W (IR on/off) *Requires extension I/O module kit
Dimensions	ø 145.9 x 288 mm
Weight	IB9367-EHT-v2 (2.7-13.5mm): 1.97 kg IB9367-EHT-v2 (5-50mm): 2 kg
Certifications	EMC: CE (EN 55032 Class A, EN 55035, EN 50121-4), FCC (FCC Part 15 Subpart B Class A), RCM (AS/NZS CISPR 32 Class A), VCCI (VCCI-CISPR 32 Class A); Safety: UL (UL 62368-1), CB (IEC/EN 62368-1, IEC/EN 60950-22, IEC/EN 62471); Environment: IK10 (IEC 62262), IP66/67 (IEC 60529); NEMA (NEMA 250 Type 4X), IEC 60068-2-11; IA: BIS (IS 13252), BSMI (EMC: CNS 13438, Safety: CNS 14336-1)

Operating Temperature	Starting Temperature: -30°C ~ 50°C (-22°F ~ 122°F) Working Temperature: -40°C ~ 60°C (-40°F ~ 140°F) (IR off) -40°C ~ 50°C (-40°F ~ 122°F) (IR on)
Humidity	98% RH (non-condensing)
Warranty	36 months

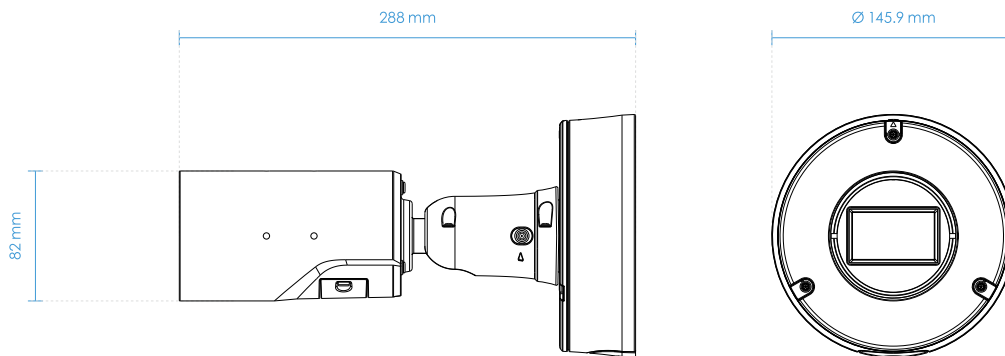
### System Requirements

Operating System	Microsoft Windows 10/8/7 Mac 10.12 (Chrome only)
Web Browser	Chrome 58.0 or above Internet Explorer 10/11
Other Players	VLC: 1.1.11 or above

### Included Accessories

Packing Contents	Quick installation guide, product labels, alignment sticker, L-shaped wrench, screw pack, waterproof accessory pack, sunshield, I/O cable
------------------	---

## Dimensions



All specifications are subject to change without notice. Copyright©VIVOTEK INC. All rights reserved. Ver. 1