

PMCL600 Series Full High-Definition LED Monitors

WALL MOUNT 32-INCH

Product Features

- Full High Definition 1920 x 1080 Resolution
- HDMI Digital Plus VGA, BNC Analog Inputs
- OSD Menu Selection of 16:9 Widescreen or 4:3 SD Aspect Ratio
- Bright LED Illuminated Panel with Ultra Wide (178°) Viewing Angle
- Built-in Stereo Speakers (8-inch x 2-inch) and Audio Amplifier
- Standard 400 x 200 mm VESA Mounting
- Auto-on when VGA or HDMI DVR/NVR Video is Detected
- On-Screen Display (OSD) Languages: English, Spanish, German, French, Italian, and Chinese (simplified)
- 3-Year Warranty



PMCL632

Pelco's **PMCL600 Series** monitors combine the latest technologies into a perfect complement to your investment in megapixel imaging and performance. Wall mount full high-definition (FHD) monitors deliver 1920 x 1080 resolution and are specifically engineered to exceed the demands of surveillance operators.

High-definition displays adapt to the changing nature of security in control room design and efficiency. Pelco FHD monitors are an integral component of the modern control room, allowing you to customize and deliver the most efficient video configuration for your installation.

Individual monitors, as well as entire walls, can be configured to meet your security needs. Also, multiple video streams can be arranged on a single monitor to significantly reduce your installation's power requirements. Pelco's energy-conscious FHD displays use low-power components to meet regulatory compliance.

FHD monitors deliver optimal performance and the truest color reproduction available while retaining compatibility with Pelco and third-party megapixel cameras. The result is superior clarity and image recognition. When used with other, lower resolution camera systems, Pelco FHD displays can seamlessly scale down to 720p. This feature guarantees crisp, detailed images from all cameras.

FHD monitors have been designed to meet the global demands of complex security installations. Stringent testing of FHD monitor components ensures that around-the-clock, day-in and day-out operation does not degrade the image quality, but consistently maintains the superior performance that surveillance operators require.

TECHNICAL SPECIFICATIONS

GENERAL

Parameter	PMCL632 32-Inch
Viewing Area	698 mm x 392.85 mm
Number of Pixels	1920 (H) x 1080 (V)
Pixel Pitch	0.36 (H) mm x 0.36 (V) mm
Brightness	300 cd/m ² (typical)
Contrast Ratio	3000:1
Power Consumption	<55 W
Dimensions (without stand)	743.95 x 443.40 x 58.70 mm (29.29 x 17.46 x 2.31 in)
Weight Unit Shipping	8.80 kg (19.4 lb) 10.8 kg (23.8 lb)
Speakers	8 ohm 3 W/channel
Included Mount	Desk Stand

Backlight Type	LED
Refresh Rate	60, 70, 75 Hz (depending on resolution)
Viewing Angle (H/V)	178°/178°
Response Time	6.5 ms
Maximum Resolution	1920 x 1080 at 60 Hz
Optimum Resolution	

Interface	Resolution	Refresh Rate
HDMI	1920 x 1080	60 Hz
	1280 x 1024	60 Hz/70 Hz/75 Hz
	1024 x 768	60 Hz
	800 x 600	60 Hz
	640 x 480	60 Hz
VGA	1920 x 1080	60 Hz
	1280 x 1024	60 Hz/75 Hz
	1024 x 768	60 Hz
	800 x 600	60 Hz
	640 x 480	60 Hz

Monitor Aspect Ratio	16:9 or 4:3
Video Formats	480p, 1080i, 1080p
Panel Life	40,000 hours
Display Colors	16.7 million
Front Panel Controls	Power, left/right, up/down, menu, input
Indicators	LED (power on/off)
VESA® Mounting Compliance	400 x 200 mm

ELECTRICAL

Input Voltage	100 to 240 VAC, 50/60 Hz
Input Interfaces	
Video Input	BNC, HDMI (2), VGA
Video Output	BNC
Additional Inputs	USB, RS-232
Audio	3.5 mm stereo jack
Horizontal Frequency	15 kHz to 75 kHz
Vertical Frequency	25 Hz to 75 Hz
Sync Format	NTSC/PAL

ENVIRONMENTAL

Operating Temperature	0° to 40°C (32° to 104°F)
Storage Temperature	-20° to 60°C (-4° to 140°F)
Operating Humidity	10% to 85%, noncondensing
Storage Humidity	10% to 85%, noncondensing

TECHNICAL SPECIFICATIONS

MODEL

PMCL632* 32-inch monitor (81 cm)

*A desk stand is included with the 32-inch model. No stands or mounts are included with any of the other monitors.

RECOMMENDED ACCESSORIES

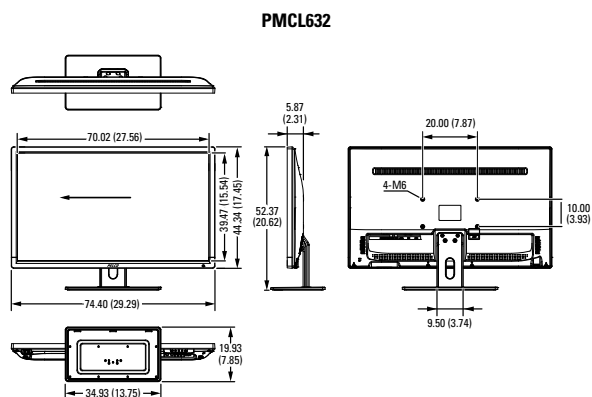
PMCLNBWMF Flat Wall Mount
PMCLNBWMT Tilt Wall Mount
PMCLNBWMS Swing Out Arm Wall Mount

CERTIFICATIONS

CE, Class B
FCC, Class B
ICES-003, Class B
UL/cUL Listed



VALUES IN PARENTHESES ARE INCHES; ALL OTHERS ARE CENTIMETERS.



Pelco by Schneider Electric

625 W. Alluvial, Fresno, California 93711 United States

USA & Canada Tel (800) 289-9100 Fax (800) 289-9150

International Tel +1 (559) 292-1981 Fax +1 (559) 348-1120

www.pelco.com www.pelco.com/community

⚠ **WARNING:** Cancer and Reproductive Harm - www.P65Warnings.ca.gov.

⚠ **ADVERTENCIA:** Cáncer y Daño Reproductivo - www.P65Warnings.ca.gov.

⚠ **AVERTISSEMENT:** Cancer et Troubles de l'appareil reproducteur - www.P65Warnings.ca.gov.

Pelco, the Pelco logo, and other trademarks associated with Pelco products referred to in this publication are trademarks of Pelco, Inc. or its affiliates. ONVIF and the ONVIF logo are trademarks of ONVIF Inc. All other product names and services are the property of their respective companies. Product specifications and availability are subject to change without notice. ©Copyright 2020, Pelco, Inc. All rights reserved.