

SARIX[®] CORNER CAMERA 3 SERIES

3 MP

5 MP

5-YEAR WARRANTY

The Sarix[®] Corner Camera 3 Series is an anti-ligature, no-grip solution that can handle the harshest attempts to destroy, detach, attach to or disable delivering comprehensive video security of small to medium size environments where there is the threat of vandalism. Facilities seeking a vandal-resistant camera such as jails, prisons, hospitals or high schools can leverage the camera's wide field of view and superior image quality for total coverage of small to mid-sized areas. The Sarix[®] Corner Camera 3 Series is embedded with Smart Analytics, powered by Motorola Solutions, which helps to detect critical events and increases security teams' productivity by expediting real-time responses and forensic investigations.



FEATURES



TOTAL COVERAGE

Wall-to-wall and floor-to-ceiling coverage of high-security spaces.



H.264 AND H.265 WITH SMART COMPRESSION TECHNOLOGY

Optimizes compression levels to help maximize bandwidth savings and keep storage costs down while preserving image quality.



AUDIO RECORDING CAPABILITIES

Records audio evidence via a built-in microphone (that can be disabled if desired) for added situational awareness of the environment.



EASY-TO-INSTALL & REPAIR

Water-resistant design and stainless steel variant make it easy to clean, and repairing parts is simple using conventional tools without having to remove the entire camera, minimizing downtime.



EXTENDED TEMPERATURE RANGE

Continuously records between -40°C to 55 °C (-40 °F to 131 °F).



SMART ANALYTICS, POWERED BY MOTOROLA SOLUTIONS

Detects and classifies objects for greater accuracy and faster responses.



VANDAL & WATER-RESISTANT

Rated IK10+ for impact up to 50 joules enhancing vandal resistance, IP66/67 Type 4x* for water resistance enabling indoor and outdoor use, and anti-ligature to meet requirements in corrections and healthcare applications.



INVISIBLE IR LED LIGHT

Makes the monitoring less obtrusive.



ONVIF[®] COMPLIANT

ONVIF Profile S, G and T compliance allows for easy integration with existing ONVIF infrastructures.

ONVIF is a trademark of Onvif, Inc.

* Stainless steel models

SPECIFICATIONS

IMAGE PERFORMANCE		3.0 MP	5.0 MP
Image Sensor		1/2.8" progressive scan CMOS	
Max Resolution (H x V) and Aspect Ratio		(4:3) 2048 x 1536 (16:9) 1920 x 1080	(4:3) 2592 x 1944 (16:9) 2560 x 1440
Dynamic Range	WDR Off:	83 dB	
	WDR On:	126 dB	
Max Frame Rate	WDR Off:	(50 Hz/60 Hz) 25 fps/30 fps	
	WDR On:	(50 Hz/60 Hz) 20 fps/20 fps	
Bandwidth Management		Pelco Smart Compression Technology; Idle scene mode	
3D Noise Reduction Filter		Yes	

LENS AND IR ILLUMINATION	
Lens	2.3 mm
IR Illumination Max Distance ¹	15 m (49 ft)
Minimum Illumination	0.027 lux in color mode, 0.014 lux in monochrome mode, 0 lux with IR
Horizontal Angle of View Based on Aspect Ratio	(4:3) 135° (16:9) 133°
Vertical Angle of View Based on Aspect Ratio	(4:3) 95° (16:9) 74°
Max Aperture	F2.2

¹ High power 940 nm LED. IR illumination power may be reduced at higher operating temperatures.

IMAGE CONTROL	
Image Compression Method	H.264 Pelco Smart Compression, H.265 Pelco Smart Compression, Motion JPEG
Streaming	Multi-stream H.264, Multi-stream H.265, Motion JPEG, Pelco Smart Compression Technology
Motion Detection	Pixel motion: Selectable sensitivity and threshold. Classified object detection
Electronic Shutter Control	Automatic, Manual (1/7 to 1/8196 sec)
Day/Night Control	Automatic, Manual
Flicker Control	60 Hz, 50 Hz
White Balance	Automatic, Manual
Backlight Compensation	Adjustable
Privacy Zones	Up to 64 zones

NETWORK	
Network	100BASE-TX, RJ45 Connector, CAT5e Cabling
ONVIF	ONVIF compliance version 21.06, Profile S, Profile T, Profile G, and Profile M (www.onvif.org)
Security	Password protection, HTTPS encryption, digest authentication, WS authentication, user access log, 802.1x port based authentication, FIPS 140-2 L1 (with optional camera license), FIPS 140-2 L3 (with optional accessory)
Protocols	IPv6, IPv4, HTTP, HTTPS, SOAP, DNS, NTP, RTSP, RTCP, RTP, TCP, UDP, IGMPv2, ICMP, DHCP, Zeroconf, ARP, HSTS
Streaming Protocols	RTP/UDP, RTP/UDP multicast, RTP/RTSP/TCP, RTP/RTSP/HTTP/TCP, RTP/RTSP/HTTPS/TCP, HTTP
Device Management Protocols	SNMP v2c, SNMP v3

PERIPHERALS	
USB Port	USB 2.0
Onboard Storage	microSD/microSDHC/microSDXC slot – video speed class card required. Class V10 or better recommended. 512 GB card tested.

AUXILIARY I/O

Audio Compression Method	G.711 PCM 8 kHz, Opus
Audio Input/Output	Line level I/O or built-in microphone
External I/O Terminals	Alarm In, Alarm Out

MECHANICAL

Dimensions (LxWxH)	163 mm x 163 mm x 121 mm; 6.4" x 6.4" x 4.8"
Weight	3.21 kg (7.2 lbs)
Minimum Mounting Height	2.75 m (9')
Dome Bubble	Polycarbonate
Body	Stainless steel / Cold rolled steel
Housing	Corner mount, vandal resistant
Finish	Bead blasted and electro-polished / Cast, powder coated, Pantone 427C
Recording LED	Yes
Built-in Microphone	Yes

ELECTRICAL

Power Consumption	13 W max (11 W with no IR or IR disabled)		
Power Source	VDC: 12 V \pm 10%, 12 W min	VAC: 24 V \pm 10%, 13 VA min	PoE: IEEE802.3af Class 3 compliant
RTC Backup Battery	3V manganese lithium		

ENVIRONMENTAL

Operating Temperature	-40 °C to +55 °C (-40 °F to 131 °F)
IR Illuminator Behavior	The IR illuminator will operate at 50% power if the temperature is 50 °C (122 °F) or higher.
Storage Temperature	-10 °C to +70 °C (14 °F to 158 °F)
Humidity	0 - 95% non-condensing

CERTIFICATIONS

Certifications/Directives	UL, cUL, CE, ROHS, Reach (SVHC), RCM, BIS, UKCA
Safety	UL 62368-1, CSA 62368-1, IEC/EN 62368-1, IEC 62471 (with -IR option)
Environmental	UL/CSA/IEC 60950-22, IEC 60529 IP66 and IP67 Weather Rating, NEMA 4X for stainless steel enclosure only, IK10+ Impact Rating
Electromagnetic Emissions	FCC Part 15 Subpart B Class B, IC ICES-003 Class B, EN 55032 Class B, EN 61000-6-3, EN 61000-3-2, EN 61000-3-3
Electromagnetic Immunity	EN 55035, EN 61000-6-1

ANALYTICS SPECIFICATIONS

SUPPORTED ANALYTICS EVENTS*

Objects in Area	The event is triggered when the selected object type moves into the region of interest.
Object Loitering	The event is triggered when the selected object type moves into the region of interest, then stays for an extended amount of time.
Objects Crossing Beam	The event is triggered when the specified number of objects have crossed the directional beam that is configured over the camera's field of view. The beam can be unidirectional or bidirectional.
Object Appears or Enters Area	The event is triggered by each object that enters the region of interest and can also be used to count objects.
Object Not Present in Area	The event is triggered when no objects are present in the region of interest.
Objects Enter Area	The event is triggered when the specified number of objects have entered the region of interest.
Objects Leave Area	The event is triggered when the specified number of objects have left the region of interest.
Object Stops in Area	The event is triggered when an object moves into a region of interest and then stops moving for the specified threshold time.
Direction Violated	The event is triggered when an object moves in the prohibited direction of travel.
Tamper Detection	The event is triggered when the scene unexpectedly changes.

*Pelco Smart Analytics powered by Motorola Solutions.

PELCO ELEVATE SUPPORTED FEATURES

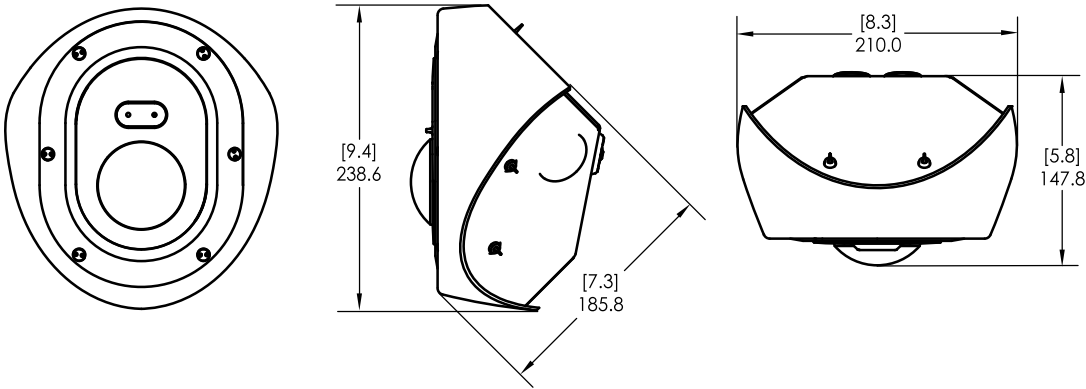
Image Health	Detects incremental changes in the cameras view, such as position shifts or obstructions. Notifies users through ONVIF conformant events and summarized email reports.
--------------	--

OUTLINE DIMENSIONS

SARIX CORNER CAMERA 3 SERIES

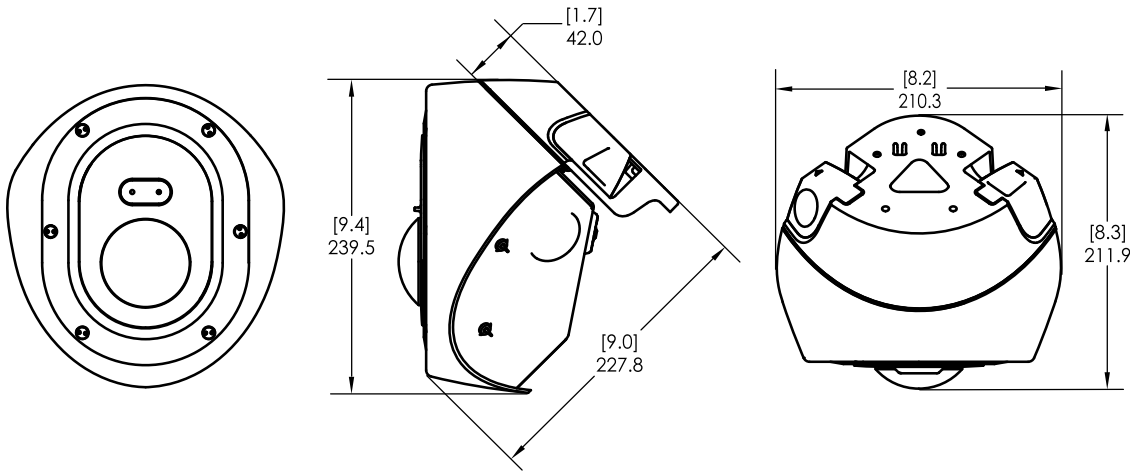
(IBD332-1/IBD332-1SS/IBD532-1/IBD532-1SS)

[X.X]	INCHES
X	MM



SARIX CORNER CAMERA 3 SERIES WITH CONDUIT BOX

(IBD332-1/IBD332-1SS/IBD532-1/IBD532-1SS WITH CNBX-1001)



ORDERING INFORMATION

	MP	WDR	ANALYTICS	LENS	IR	BODY	FINISH
IBD332-1	3.0	✓	✓	2.3 mm	✓	White Cold Rolled Steel	Powder Coat
IBD332-1SS	3.0	✓	✓	2.3 mm	✓	Stainless Steel	Bead Blasted & Polished
IBD532-1	5.0	✓	✓	2.3 mm	✓	White Cold Rolled Steel	Powder Coat
IBD532-1SS	5.0	✓	✓	2.3 mm	✓	Stainless Steel	Bead Blasted & Polished

OPTIONAL CAMERA ACCESSORIES

CNBX-1001	Conduit gang box, powder coated aluminum die-cast, white (accepts 12.7 mm/0.5" or 19.05 mm/0.75" conduit pipe)
IBD3-FP	Replacement faceplate for white cold rolled corner camera models
IBD3-FPSS	Replacement faceplate for stainless steel corner camera models
CAM-FIPS	Camera license to enable FIPS level 1 cryptographic mode on the Sarix Corner camera.

SUPPORT

Learn more and find additional documentation at pelco.com or email support@pelco.com for specific product support.



Dec 2023 | C5058-S | Rev 3

© 2021 - 2023, Motorola Solutions, Inc. All rights reserved. MOTOROLA, MOTO, MOTOROLA SOLUTIONS, and the Stylized M Logo are trademarks or registered trademarks of Motorola Trademark Holdings, LLC and are used under license. Pelco, the Pelco logo, and other trademarks associated with Pelco products referred to in this publication are trademarks of Pelco, Inc. or its affiliates. All other product names and services are the property of their respective companies. Product specifications and availability are subject to change without notice.